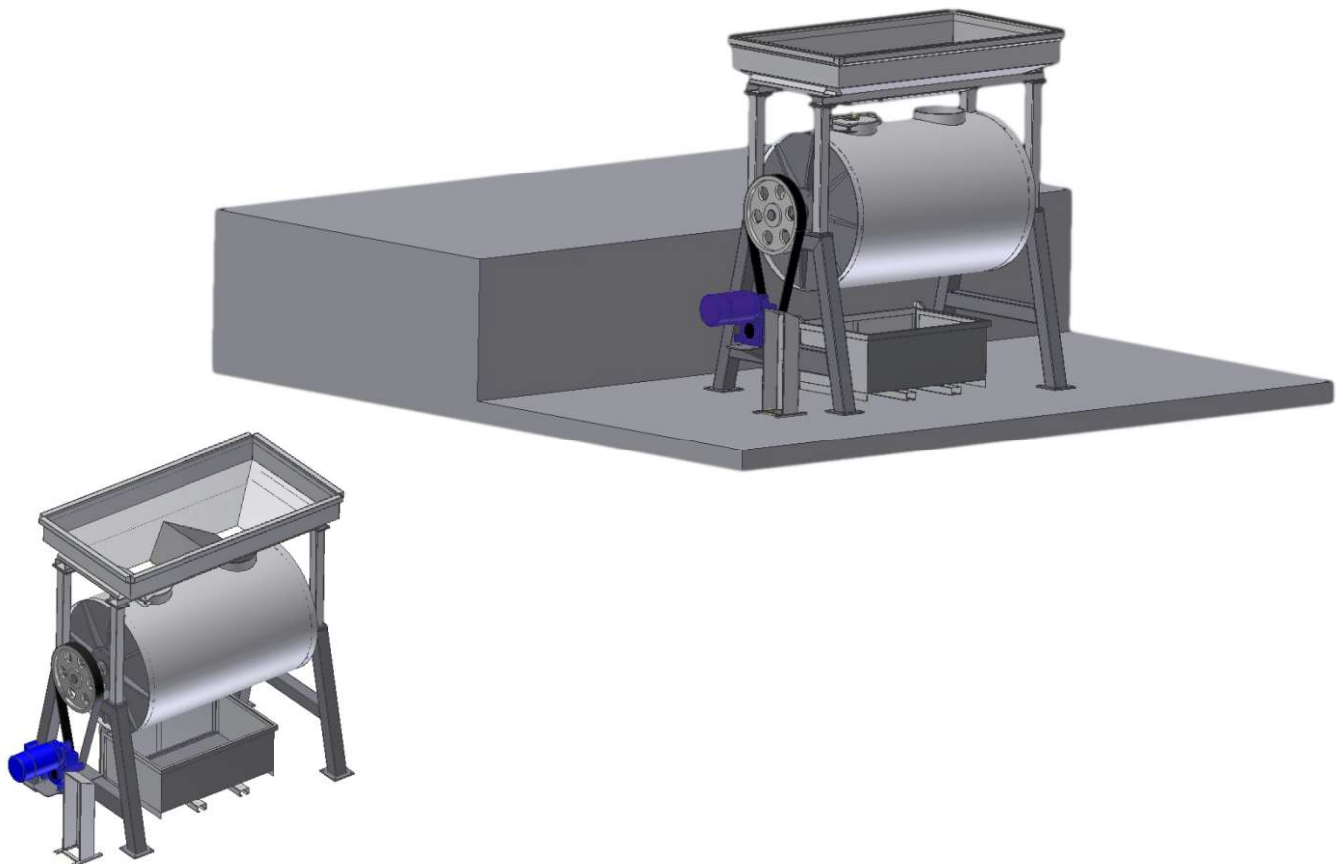


Characteristics	MSR 4,8	MSR 7
Capacity (m ³)	4,8	7
Power (kW/cv)	18,5/25	22/30
rpm	30	30
Production (m ³ /h)	0,60 to 1	0,8 to 1,4
Dimensions (LxWxH) (mm)	3000x2500x4500	4000x2500x4500
Weight (kg)	5400	6000
Delayer	Yes	Yes
Start	T/Y	T/Y



ADVANTAGES

- Low operational costs.
- Automatic stopping.
- Easy charging.
- Low human factor.
- Polish finishing.